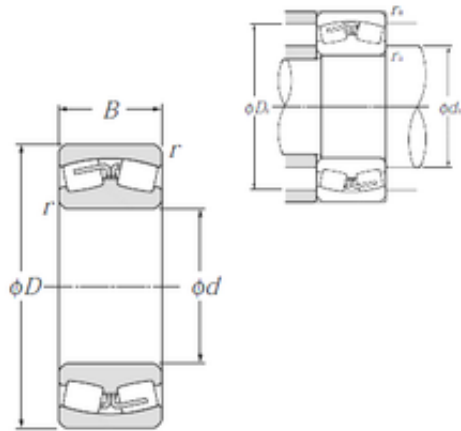




China 6203 Bearing Supplier

23976 NTN Spherical Roller Bearings



Bearing No. 23976

Size	380x520x106 mm
Bore Diameter	380 mm
Outer Diameter	520 mm
Width	106 mm
d	380 mm
D	520 mm
B	106 mm
C	106 mm
r min.	4 mm
da min.	398 mm
Da max.	502 mm
ra max.	3 mm
Weight	69,9 Kg
Basic dynamic load rating (C)	1 560 kN
Basic static load rating (C0)	3 550 kN
(Grease) Lubrication Speed	590 r/min
(Oil) Lubrication Speed	770 r/min
Calculation factor (e)	0,19
Calculation factor (Y0)	3,46
Calculation factor (Y1)	3,54
rs min	4 mm
Number of lubrication holes	8
b	16 mm
k	10 mm
e	0.19
Y1	3.54

23976 Bearing 2D drawings and 3D CAD models



China 6203 Bearing Supplier

Y2	5.27
Y0	3.46
Radial clearance class	CN
Dynamic load, C	1,560 kN
Static load, C0	3,550 kN
Fatigue limit load, Cu	296 kN
Nref	800 rpm
Nlim	1,100 rpm
Min operating temperature, Tmin	-40 ° C
Max operating temperature, Tmax	120 ° C
Characteristic cage frequency, FTF	0.47 Hz
Characteristic rolling element frequency, BSF	14.52 Hz
Characteristic outer ring frequency, BPF0	18.17 Hz
Characteristic inner ring frequency, BPFI	20.83 Hz
da min	394.6 mm
Da max	505.4 mm
ra max	3 mm