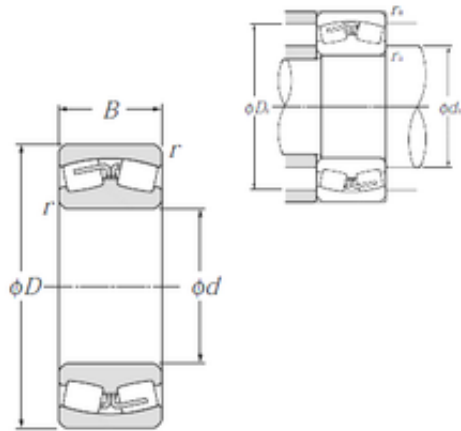




## China 6203 Bearing Supplier

### 23176B NTN Spherical Roller Bearings



Bearing No. 23176B

Size	380x620x194 mm
Bore Diameter	380 mm
Outer Diameter	620 mm
Width	194 mm
d	380 mm
D	620 mm
B	194 mm
C	194 mm
r min.	5 mm
da min.	402 mm
Da max.	598 mm
ra max.	4 mm
Weight	235 Kg
Basic dynamic load rating (C)	3 900 kN
Basic static load rating (C0)	7 500 kN
(Grease) Lubrication Speed	450 r/min
(Oil) Lubrication Speed	590 r/min
Calculation factor (e)	0,31
Calculation factor (Y0)	2,12
Calculation factor (Y1)	2,16
d2	456 mm
D1	539.8 mm
rs min	5 mm
Number of lubrication holes	8
b	27 mm
k	16 mm

23176B Bearing 2D drawings and 3D CAD models



## China 6203 Bearing Supplier

e	0.31
Y1	2.16
Y2	3.22
Y0	2.12
Radial clearance class	CN
Dynamic load, C	3,900 kN
Static load, C0	7,500 kN
Fatigue limit load, Cu	515 kN
Nref	530 rpm
Nlim	850 rpm
Min operating temperature, Tmin	-40 ° C
Max operating temperature, Tmax	120 ° C
Characteristic cage frequency, FTF	0.44 Hz
Characteristic rolling element frequency, BSF	8.4 Hz
Characteristic outer ring frequency, BPF0	10.18 Hz
Characteristic inner ring frequency, BPF1	12.82 Hz
da min	400 mm
Da max	600 mm
ra max	4 mm
Category	Bearings
Inventory	0.0
Manufacturer Name	NTN
Minimum Buy Quantity	N/A
Weight / Kilogram	260
Product Group	B04311