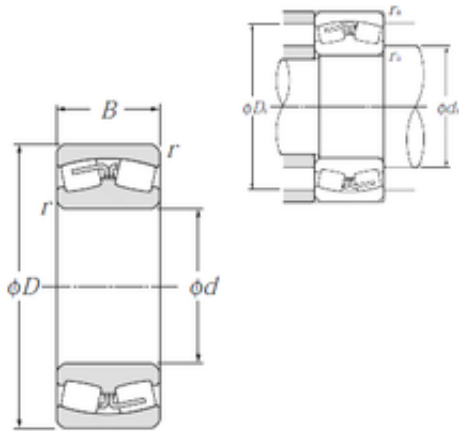




China 6203 Bearing Supplier

23276B NTN Spherical Roller Bearings



Bearing No. 23276B

Size	380x680x240 mm
Bore Diameter	380 mm
Outer Diameter	680 mm
Width	240 mm
d	380 mm
D	680 mm
B	240 mm
C	240 mm
r min.	6 mm
da min.	408 mm
Da max.	652 mm
ra max.	5 mm
Weight	380 Kg
Basic dynamic load rating (C)	5 200 kN
Basic static load rating (C0)	9 650 kN
(Grease) Lubrication Speed	430 r/min
(Oil) Lubrication Speed	550 r/min
Calculation factor (e)	0,36
Calculation factor (Y0)	1,85
Calculation factor (Y1)	1,89

23276B Bearing 2D drawings and 3D CAD models